



Injecto-Flo® AO-1 Air-Operated Pumps

DESCRIPTION

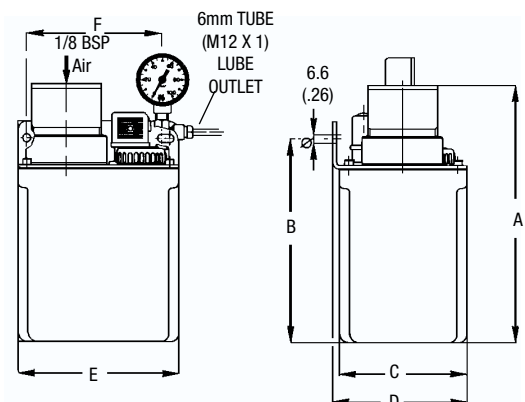
The AO-1 air operated pump is a positive displacement, single stroke pump that delivers 13 cm³ (.80 in³). The AO-1 pump is controlled by a remote mounted 3-way air solenoid valve. **(Note: Valve purchased separately)** Activating this valve allows filtered, regulated, and lubricated air to move both the power piston and the lubricant piston. The resulting lubricant flow pressurizes the system mainlines causing the piston distributors to dispense a measured volume of lubricant to the bearing points. De-energizing the solenoid valve allows air pressure on the power piston to be exhausted which permits the piston return spring to move both the power piston and lubricant pistons back to the prime position. The built in vent valve is simultaneously released which vents mainline lubricant pressure allowing the piston distributors to re-prime for the next cycle.



SPECIFICATION	
Materials	Aluminum and steel pump, nylon or metal reservoir
Output (max)	0.80 in ³ (13 cm ³) per stroke
Pump Pressure Ratio	4.5:1 (lube out/air in)
Air Pressure	60-100 psi (4-7 bar)
Oil Viscosity	ISO 50-1000 (250-5000 SUS)
Low Level Switch	10W @ 115/230 VAC 5W @ 24 VDC, N.C. contacts
On-Time (min)	5 sec
Off-Time (min)	15 sec
Note: Due to the single stroke operation of this pump, total System Discharge Volume must not exceed 50% of pump delivery 0.04 in³ (6.5 cm³)	

ORDERING INFORMATION		
Description	Part No.	Old Part No.
2 liter (4 pint) Plastic Reservoir	247648	126-400-100
5 liter (10 pint) Steel Reservoir	247649	126-400-130
Replacement Outlet Nut 6mm Tube	555732	435-702-466
Replacement Outlet Ferrule 6mm Tube	555731	435-702-421
Outlet Adaptor M 12 x 1 (M) to 1/4 NPTF (F)	Disc.	435-702-471

Reservoir Size Liters (Pints)	Dimensions mm (inches)					
	A	B	C	D	E	F
2 (4)	237.0 (9.33)	186.0 (7.32)	118.0 (4.65)	123.0 (4.84)	148.0 (5.83)	125.0 (4.92)
5 (10)	232.0 (9.13)	181.0 (7.13)	—	152.0 (5.98)	236.0 (9.29)	167.0 (6.57)



All written and visual data contained in this document are based on the latest product information available at the time of publication. Graco reserves the right to make changes at any time without notice.

Contact us today!

To receive product information or talk with a Graco representative, call 800-533-9655 or visit us online at www.graco.com.

